

FITTING YOUR VERTICAL BLIND

Important: brackets should be fixed a sufficient distance from the window to allow the vanes to clear window handles or other obstructions.

Brackets

Identify type of bracket supplied.

Snap In Top Fix (A):

For fixing to a horizontal surface.



Shallow Face Fix (B):

For fixing to a vertical surface.



An appropriate number of brackets are supplied for width.

Brackets should be positioned 100mm (4") from each end of the headrail. Additional brackets are supplied for blinds wider than 1400mm (55") and should be screw fixed evenly across the width of the blind. Maximum spacing between brackets should be 1200mm (47").

Determine headrail position as shown in diagram opposite, ensuring that when the blind is fitted window handles will not obstruct it.

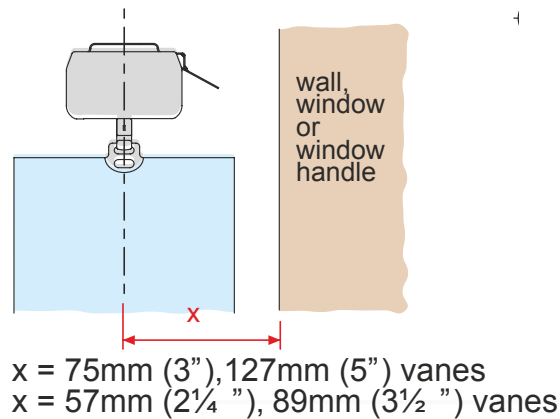
Position brackets and screw fit.

Fixing into wood:

No.8 × 19mm (¾") flange head screws are recommended.

Concrete, brick, plaster, etc.

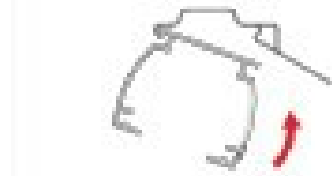
Use Masonry plugs and screws of an appropriate length, e.g. No.8 × 32mm (1¼") flange head screws to obtain a secure fixing.



Fitting

Snap In Top Fix (A):

Slot the front lip of the headrail over the leading edge of the bracket and snap upwards securely into position.



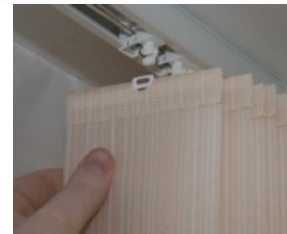
Shallow Face Fix (B):

Slot the back lip of the headrail over the locating tang of the bracket, push upwards and tighten screw to secure (be careful not to over tighten).



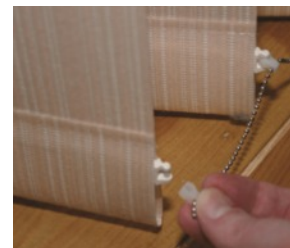
Attaching the Vanes

With the control in the open position, slip the hanger up and into the traveller hook as shown. Use the 1st or 2nd position as desired.



Stabilising Chain

Present each clip to the weight post at a 45 degree angle as shown and push securely onto the post. Note: if installing blinds with a split draw, cut chain at the centreparking point.



FOR FURTHER ADVICE OR ASSISTANCE PLEASE CONTACT US
Tel 0800 098 8823 or 01733 592012 Email sales@blinds247.com

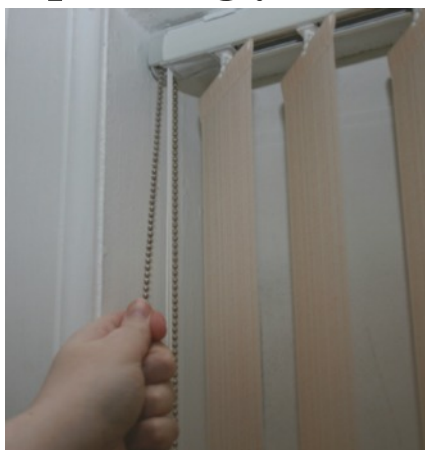


Fitting the Child Safety Clip



Always use the cord and chain safety clip to remove the possibility of loose hanging loops. Simply feed the cord and chain through the loop of the clip and attach it to the wall with the screw provided so that the controls are vertical. The cord should run in the groove and the clip should be positioned so that there is slight tension on the cord but it is still able to move freely.

Operating your Blind



Use pull cord to open and close your blind.

Use the operating chain to rotate the vanes.

Only traverse the vanes with the blind in the open position

Common Problems Experienced by Customers

PROBLEM – All of the louvres will not turn

REMEDY – This is the most common problem and usually due to the louvres being hung with them in the closed position meaning that they are trying to twist against each other. To rectify take the louvres down and re-hang them in the open position (ie., at 45 degrees to the window)

PROBLEM – Some of the louvres will not turn whilst some will.

REMEDY – If some of the louvres will not turn there are 2 possible reasons. Either the hook onto which the louvre hangs has been pushed into the traveller block during transit, ensure therefore that the offending hooks are fully pulled out of the traveller body. Holding the hook near the block (not on the end of hook) and pulling with a pair of pliers should do this. If this doesn't cure the problem, the fault will be that the shaft on the hook will have become dislocated from the gearing. Relocate this by taking hold of the hook near the block with a

Caring for your Blind

Headrail

The headrail mechanism is self-lubricating. Occasionally spraying with silicone based fluid such as a proprietary brand of furniture polish will maintain easy operation.

The Vanes

Fabrics are specially coated to ensure that the vanes will hang straight, repel dust and not fray. The coating may react to hot water, strong detergents and bleaching agents.

To care for the vanes, vacuum occasionally in the same way as you would with curtains or upholstery. Dirty marks may be removed by wiping with a lightly moistened cloth, using mild detergent/warm water mix.

If your vertical blind fabric is washable please refer to the washing instructions which can be downloaded at www.tinyurl.com/blinds247 If in any doubt about your fabric being washable please consult us before washing.